

**EI, CI & EL INDUSTRIAL
BIMETAL THERMOMETERS**

ACCURACY

 ASME B 40.3 Grade A ($\pm 1\%$ of span)

DIAL SIZE

EI, CI 2", 3", 5" (EL 3", 5")

STEM/BULB DESIGN

Rigid stem 0.250" dia.

RECALIBRATOR

(EI, EL external), (CI none)

SEALING DESIGN

Hermetically sealed; EL liquid filled

DAMPENING

 Silicone-dampened bimetal coil;
EL liquid filled

CONNECTION LOCATION

 EI rear, lower, Everyangle™ mount
CI rear, lower
EL rear, Everyangle mount

CONNECTION SIZES (NPT)

 Plain
 $\frac{1}{4}$ " (2" sizes only)
 $\frac{1}{2}$ " and $\frac{1}{2}$ " union (3", 5" sizes only)

STEM LENGTH

 2 $\frac{1}{2}$ "-60"

RANGES

 -80°F to 1000°F, -50°C to 500°C
EL -40°F to 550°F, -20°C to 300°C

CASE/RING MATERIAL

Stainless steel

CASE/BULB MATERIAL

Stainless steel

WINDOW

EI, CI glass (EL Polycarbonate)

Refer to page nos. 204-206

General industrial temperature applications including gases, liquids, and other processes. All stainless steel construction.

**600A & 600B DURATEMP®
THERMOMETERS**

ACCURACY

 ASME B 40.3 Grade A ($\pm 1\%$ of span)

DIAL SIZE

 600A - 4 $\frac{1}{2}$ ", 6"
600B - 4 $\frac{1}{2}$ "

STEM/BULB DESIGN

 Rigid stem 0.375" dia. (600B)
Bendable 0.375" dia. (600A)

RECALIBRATOR

Adjustable pointer

SEALING DESIGN

Weatherproof

DAMPENING

Silicone-encapsulated helical Bourdon tube

CONNECTION LOCATION

 600A - rear, lower - remote mount
600B - Everyangle - direct mount

CONNECTION SIZES (NPT)
 $\frac{1}{2}$ " union

STEM LENGTH

6"-36" - 600B

CAPILLARY LENGTH

5"-80" - 600A

RANGES

 -320°F to 1200°F
-200°C to 650°C

CASE/RING MATERIAL

Stainless steel, aluminum, phenol

CASE/BULB MATERIAL

Stainless steel

CAPILLARY MATERIAL

600A- 300 Series stainless steel

WINDOW

Glass

Refer to page nos. 212-217

Rugged applications including gases, liquids and other processes. Wide temperature ranges including remote monitoring.

**2400E & 2410E DIGITAL
THERMOMETERS**

RESOLUTION

1°

UPDATE TIME

3 readings per second

CASE SIZE

2.030" dia. x 1.39"

CASE

ABS and acrylic

VIBRATION

50 to 200 Hz @ 2.5g no effect

RANGE

 -40°F to 199°F,
0°F to 250°F, -40°C to 120°C

AMBIENT TEMP. LIMIT

-30°F to 160°F (-34°C to 71°C)

ZERO & SPAN
 $\pm 10\%$ of operating range through two single-turn potentiometers located on the back of the thermometer's module

POWER

110 Vac input - 6 Vdc regulated output (220 Vac or 24 Vac optional)

HUMIDITY LIMITS

Up to 100% RH @ 140°F max.

APPROVALS

 UL recognized (File: E103515),
NSF C-2, CSA (File: Natl/C, LR 76285-2)

SENSOR

 Laser trimmed 2000 ohm RTD
0.250" dia. x 2.54" long 300 series stainless steel with 8' wire cable

WEIGHT

 Display - 35g (0.08lb)
Power Supply - 211g (0.5lb)

Refer to page no. 223

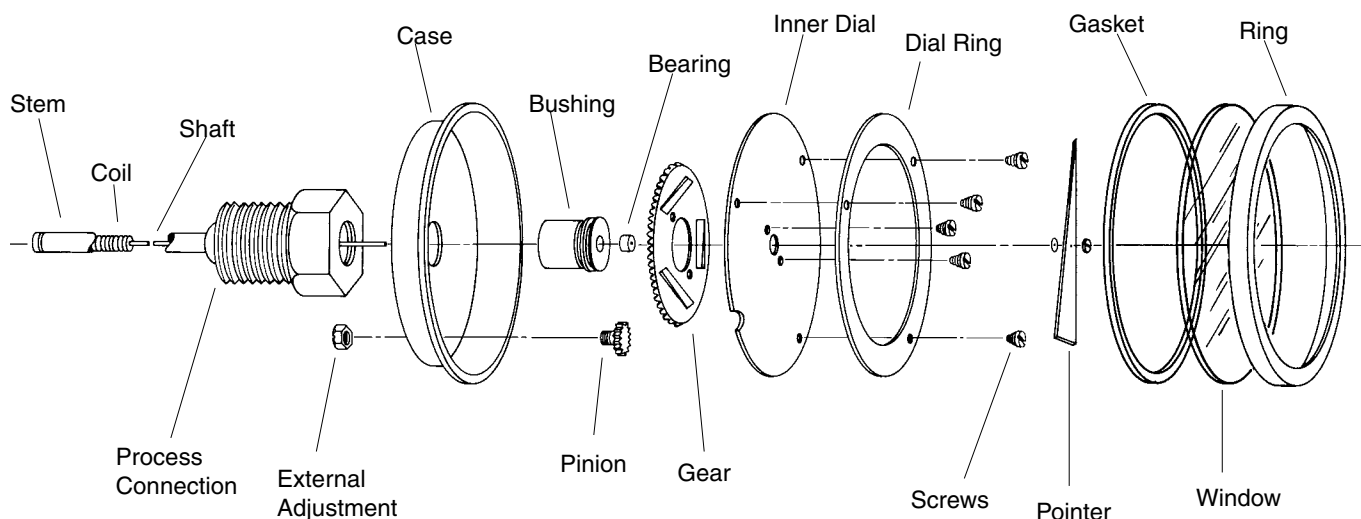
Applications include freezers, coolers and food storage equipment where remote monitoring and solid state digital readout is preferred.

BIMETAL THERMOMETERS

BIMETAL THERMOMETERS

Product Selection Information	203
Bimetal Thermometers EI Series	204
Bimetal Thermometers CI Series	205
Bimetal Thermometers EL Series	206
Bimetal Thermometers Case Dimensions	207
Options and Thermowells	220-224





Warning: When selecting all bimetal thermometers, consider the media and the ambient operating conditions. Improper application can be detrimental to the thermometer and can cause failure and possibly personal injury or property damage. Inaccuracies resulting from improper setting of the external adjustment by the user may cause personal injury or property damage. Consult ASME B40.3 for guidance in selection and use of bimetal thermometers.

Temperature Ranges: Standard Fahrenheit and Celsius ranges have been established to encompass all normal temperature measurement requirements. A bimetal thermometer can be used at an operating temperature anywhere throughout its dial range. Provision should be made for extreme temperature conditions. No bimetal thermometer should be exposed continuously to process temperatures over 800°F (425°C).

Operating Conditions: The maximum ambient temperature of the case should be no more than 200°F (95°C); liquid-filled series 150°F (65°C). Temperatures beyond this value may cause discoloration of the dial or result in increased pressure inside the casing which would ultimately lead to failure of the window. The lowest ambient temperature should not exceed -40°F (-40°C).

Thermowells: Thermowells must be used on any application where the stem of the bimetal thermometer may be exposed to pressure, corrosive fluids or high velocity. Additionally, the use of a thermowell permits instrument interchange or calibration check without disturbing or closing down the process.

Pointers: The pointers are balanced to close tolerances, and the paint finishes are controlled to assure long-term stability under adverse ultraviolet conditions.

Cases: There are three case styles. The CI series has no adjustment but is hermetically sealed. The hermetic seal prevents

entry of moisture into the casing, minimizing the possibility of icing or fogging inside the case. The EL series provides the same features as the EI plus the added benefit of liquid filling which prolongs instrument life. Potential wear problems caused by excessive vibration are minimized through dampening, and the liquid medium improves readability. The instruments are leak-tested to ensure the integrity of the joints. Case and stem material is 304 stainless steel.

Coils: The bimetallic coils are carefully wound and inspected. Each is heat treated for optimum stability and overtemperature capability.

Bearings: The bearings are made of Teflon or other low-friction material.

Shafts: Shafts are made of specially drawn stainless steel wire with a very smooth finish.

Dials: The dials are based on computer-calculated temperature deflection data and have the Maxivision® format to minimize parallax error.

Windows: The standard window on EI and CI series are heavy-duty glass. Plastic and shatterproof glass are optional. The standard window on EL series is polycarbonate. No other options are available.

The complete line of Ashcroft® industrial bimetal thermometers and accessories provides quality choices for your temperature applications. There is a long history of superior quality in engineering, manufacturing and customer service of these products. Each Ashcroft industrial bimetal thermometer is backed by a limited five year warranty.

Each instrument is manufactured to a standard accuracy of 1% of span (ASME B40.3, Grade A) traceable to the National Institute of Standards and Technology (NIST). The bimetal coils are heat treated for stability and overtemperature capability. A single helix is used to reduce lag time. The bearings are made of a low-friction long-life material. The shafts are made of

specially drawn stainless steel with a very smooth finish. All joints are welded, and the weld between the stem and the outlet is located at the bottom of the threads to eliminate the possibility of crevice corrosion.

Silicone dampening is included for improved vibration resistance. The Ashcroft Maxivision® dial eliminates parallax error by placing the pointer in the same plane as the graduations. The dial can be rotated 360 degrees and can be angled 180 degrees with the Everyangle™ connection.

Everyangle – Case Connection: The Ashcroft Everyangle™ industrial bimetal thermometer dial face with Maxivision dial can be rotated 360 degrees and angled 180 degrees. It is available in the EI and EL (5" only in EL) series with either a threaded or compression type union connection.

This design provides maximum utility. Since the entire case can be rotated and angled, the instrument can be installed almost anywhere and adjusted so that the dial face can be easily read.

- **Hermetically sealed**
- **External adjustment**
- **Maxivision® dial**
- **±1% full-span accuracy (ASME B40.3 Grade A)**
- **All-welded stainless steel construction**
- **Silicone on the coil provides vibration dampening and superior time response**
- **Heavy-duty glass standard; plastic or shatterproof glass optional**
- **Limited five-year warranty**

This series has a hermetic seal and an external adjustment in the rear of the case. As with other Ashcroft® industrial bimetal thermometers, it has a Maxivision® dial which eliminates parallax by placing the pointer on the same plane as the graduations. The connection locations are rear, lower, and Everyangle™.

The hermetic seal prevents entry of moisture into the casing, thus minimizing the possibility of icing or fogging inside the case. The window stays clear, and with the Maxivision dial, precise readings are certain.



SELECTION TABLE

Case Size		Style Code	Stem				Stem Lengths Available		Temperature Range											
Dial	Code		Connection	Code	Location	Code	"S" Length (inches)	Code	°F* Fahrenheit	°/Div.	Fig. Inter.	°C Celsius	°/Div.	Fig. Inter.						
2"	20	EI	Plain	40	Rear	R	2½	025	-80/120	2	20	-50/50	1	10						
			Pointed Plain	50	Rear	R			-20/120††			-20/120			2	20				
			¼ NPT	60	Rear	R			30/130††			0/50††			1	5				
3"	30		½ NPT Union	42	Everyangle	E	6	060	0/200	2	20	0/100	1	10						
			½ NPT	60					0/250			10/150								
			½ NPT	60	Rear	R	12	120	50/300			2			0/200	2	20			
					Lower	L	15	150	50/400											
			5"	50	½ NPT Union	42	Everyangle	E	18			180			50/550	5	50	50/450**†	5	50
					½ NPT	60									200/700†			0/300		
½ NPT	60				Rear	R	24	240	100/800†	10	100	100/500**†								
					Lower	L			200/1000**†											

*Dual scale ranges available for all standard °F ranges (3" and 5" case only)

**Satisfactory for continuous service up to 800°F or 425°C. Can be used for intermittent service from 800 to 1000°F, or 425 to 500°C.

Use Ashcroft Duratemp® thermometers for ranges above and below those listed above.

†Minimum stem length for these ranges is 4".

††Minimum stem length for lower connection and Everyangle is 4".

Thermowells must be used on all pressure or velocity applications, to protect the stem of thermometer from corrosion and physical damage, and to facilitate removal of the thermometer without disturbing the process. Maximum ambient temperature is 200°F (95°C).

Overtemperature Limits

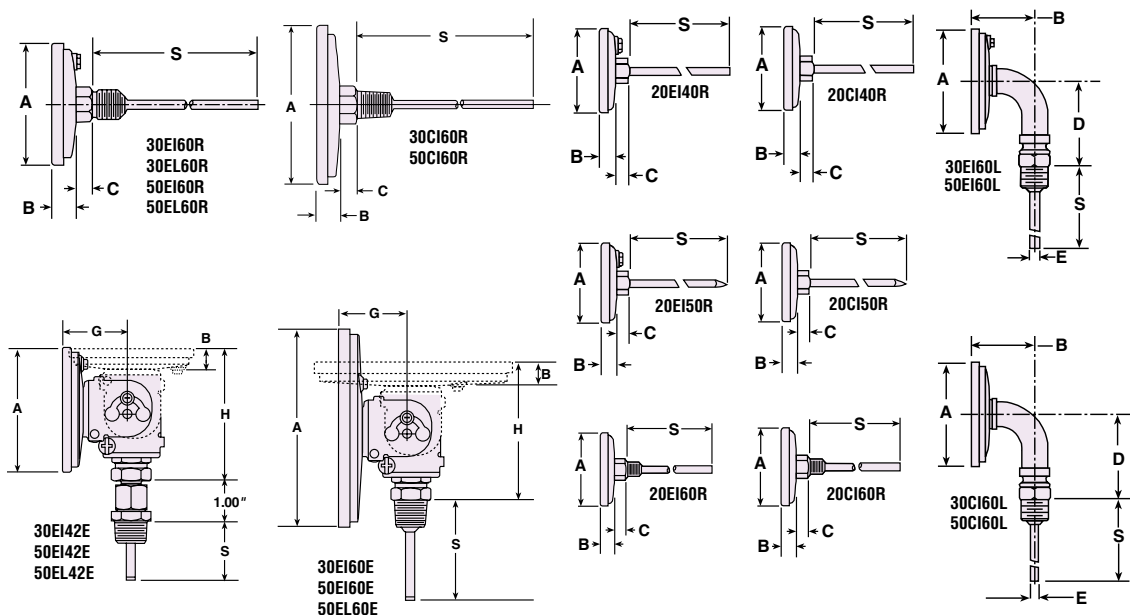
Top of Range °F	Maximum Overtemperature
up to 250	100% of span
250/550	50% of span
550/1000	800°F **

TO ORDER THIS EI SERIES BIMETAL THERMOMETER:

Select: 30 EI 60 R 040 0/250°F XNH

- Case Size: 3" Code 30
- Style: Code EI
- Stem Conn: ½ NPT Code 60
- Stem Location: Rear Code R
- Stem Length: 4" Code 040
- Range: Code 0/250°F
- Options: Stainless Steel Tag (see Page 222)

Consult factory for guidance in product selection
Phone (203) 378-8281 or visit our
web site at www.ashcroft.com



Case Series	Dial Size	Connection Location	A	B	C	D	E	G	H	S	NPT	Hex	Weight in ounces ³ S – 2½" Case Series		
													CI	EI	EL
CI, EI	2"	Rear (Plain)	2 ³ / ₃₂ (53)	3 ⁸ / ₁₀ (10)	5 ¹⁶ / ₈ (8)	–	–	–	–	– ²	–	1 ¹ / ₁₆	4½	4½	–
CI, EI	2"	Rear (Plain, pointed stem)	2 ³ / ₃₂ (53)	3 ⁸ / ₁₀ (10)	5 ¹⁶ / ₈ (8)	–	–	–	–	– ²	–	1 ¹ / ₁₆	4½	4½	–
CI, EI	2"	Rear (Threaded)	2 ³ / ₃₂ (53)	3 ⁸ / ₁₀ (10)	5 ¹⁶ / ₈ (8)	–	–	–	–	– ²	¼	1 ¹ / ₁₆	4½	4½	–
CI, EI, EL	3"	Rear	3 ⁵ / ₃₂ (80)	1 ⁹ / ₃₂ (15)	5 ¹⁶ / ₈ (8)	–	–	–	–	– ²	½	7 ⁸ / ₈	7	7	8
CI, EI	3"	Lower	3 ⁵ / ₃₂ (80)	1 ²⁷ / ₃₂ (47)	–	2 ⁵ / ₈ (67)	¼ (6)	–	–	– ²	½	7 ⁸ / ₈	11	11	–
EI	3"	Everyangle	3 ⁵ / ₃₂ (80)	1 ⁹ / ₃₂ (15)	–	–	–	1 ²¹ / ₃₂ (42)	3 ⁷ / ₁₆ (87)	– ²	½	7 ⁸ / ₈	–	10	–
CI, EI, EL	5"	Rear	5 ¹ / ₃₂ (128)	2 ³ / ₃₂ (18)	5 ¹⁶ / ₈ (8)	–	–	–	–	– ²	½	7 ⁸ / ₈	15	16	18
CI, EI	5"	Lower	5 ¹ / ₃₂ (128)	1 ¹⁵ / ₁₆ (49)	–	3 ⁵ / ₈ (92)	¼ (6)	–	–	– ²	½	7 ⁸ / ₈	24	26	–
EI, EL	5"	Everyangle	5 ¹ / ₁₆ (128)	2 ³ / ₃₂ (18)	–	–	–	1 ⁷ / ₈ (48)	3 ⁹ / ₁₆ (91)	– ²	½	7 ⁸ / ₈	–	25	28

NOTES

1 Figures in parenthesis () are in millimeters. All other dimensions are in inches.

2 Standard "S" dimensions are 2½, 4, 6, 9, 12, 15, 18 and 24 inches.

Standard stem diameter is ¼ inch.

3 Add 1 oz. for every 2 inches of stem length.



DURATEMP® THERMOMETERS

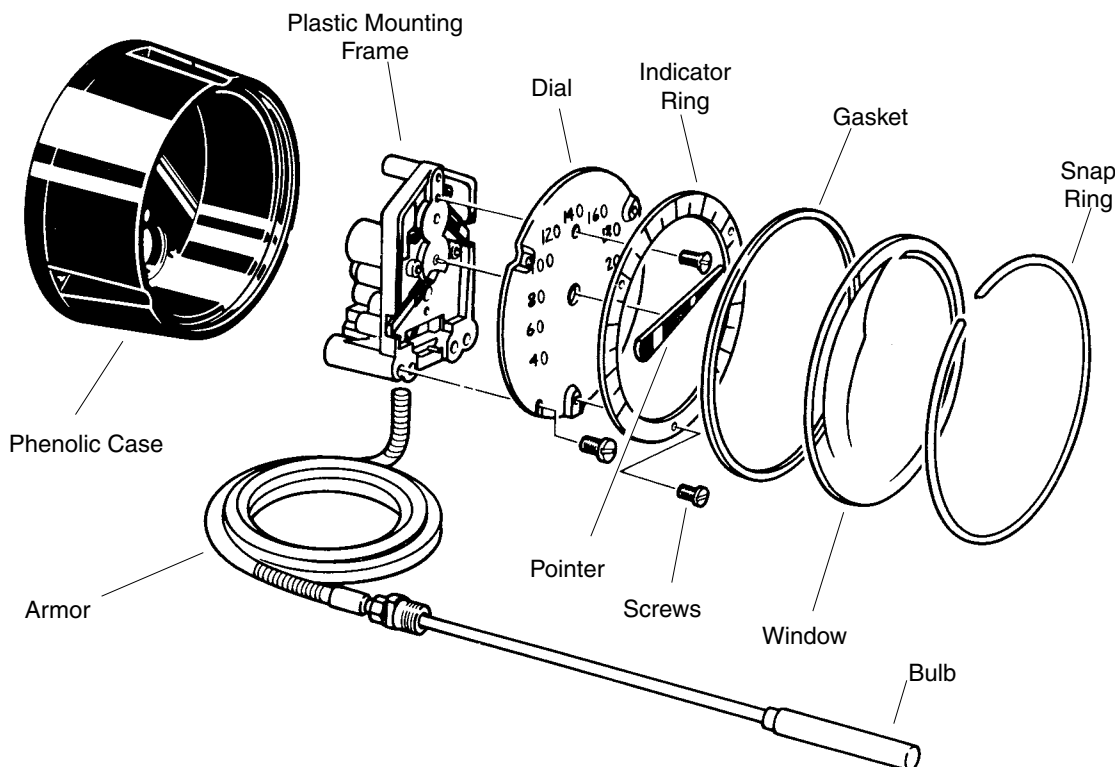
REMOTE READING THERMOMETERS

Product Selection Information	211
Duratemp Thermometer, Remote Mount, 600A-01 Series.....	212
Duratemp Thermometer, Remote Mount, 600A-02 Series.....	213
Duratemp Thermometer, Remote Mount, 600A-03 Series.....	214
Duratemp Thermometer, Remote Mount, 600A-04 Series.....	215
Duratemp Thermometer, Remote Mount, 600H-45 Series.....	216

DIRECT READING THERMOMETERS

Duratemp Thermometer, Direct Mount, 600B Series	217
Duratemp Thermometer, Case, Bulb and Armor Dimensions.....	218
Case Dimensions	219-220
Thermowells	221
Bimetal and Duratemp® Thermometer Options.....	222
Type 2400E and 2410E Digital Thermometers.....	223
Accessories	224





The superiority of a Duratemp® thermometer is revealed by comparison to conventional thermometry. Conventional gas thermometers operate on the principle that the absolute pressure is proportional to the absolute temperature. To obtain a usable temperature span, elevated working pressures must be used which frequently produce high stresses in the Bourdon tube. These high stresses reduce instrument life and may be hazardous.

The Duratemp thermometer on the other hand utilizes a combination of inert gas and activated carbon called a molecular sieve. This combination produces much lower internal pressures than conventional thermometers for the same temperature span. These lower pressures are transmitted to a compact helical Bourdon tube. The Bourdon tube connects directly to the pointer shaft thus eliminating the traditional movement assembly.

With this advantage the Duratemp thermometer is able to provide long life and sustained accuracy under the most adverse shock and vibration conditions.

Accuracy: $\pm 1\%$ of range span.

Bulb Size: 3" long by $\frac{3}{8}$ " O.D. bulb.

Bulb Material: 316SS

Ambient Error: Ambient error is a function of line length, ambient temperature and other system parameters. The error at mid-scale will be $\pm \frac{1}{2}\%$ of range span for a $\pm 25^\circ\text{F}$ change in ambient temperature, for a typical thermometer. Consult factory for details.

Vibration and Shock Resistance:

Extreme resistance similar to that required by MIL-T-19646.

Actuation: Gas/activated carbon. Pointer driven directly by lightweight helical Bourdon tube which is silicone damped.

Field Zero Adjustment: Adjustable pointer.

Over-range: Minimum 25% of span beyond top of range. If greater over-range is anticipated, consult Customer Service.

Head Error: None. No correction required for any mounting configuration.

Capillary Material: 300 series stainless steel.

Line Length: 5-80 ft in standard increments.

Armor: AISI 302 Spring Armor as standard.

Dial Sizes: Maxivision® anti-parallax two piece dial design $4\frac{1}{2}$ " and 6" sizes – Celsius or Fahrenheit. Single plane design for all dual scales and $8\frac{1}{2}$ " size.

Ranges: Standard Fahrenheit ranges available from -320°F to 1200°F . Celsius and dual scale also available.

Cases: 5 basic cases with lower or back connections, surface or flush mounted in stainless steel, phenolic or aluminum. All remote mount cases are field interchangeable, within the same range. Direct mount units available $4\frac{1}{2}$ " stainless steel case only. (Everyangle)

Direct Mount Stem Lengths: Four standard increment of semi-rigid stainless steel from 6 inches to 15 inches. (Consult factory for longer stem lengths.)

Direct Mount Union: $\frac{1}{2}$ NPT union connection fixed at the top of the stem.

Operating Conditions: The maximum case temperature should not exceed 160°F (71°C). The line should be laid so that it will not be exposed to extreme temperatures such as nearby steam pipes, ovens or other heated surfaces.

Thermowells: Thermowells must be used on any application where the bulb of the thermometer may be exposed to pressure, corrosive fluids or high velocity. Additionally, the use of a thermowell permits instrument interchangeability or recalibration without shutting down the process.

Dials: Aluminum dials have highly legible black markings on a white background. The Maxivision dial is a linear anti-parallax dial for excellent readability in the $4\frac{1}{2}$ " and 6" sizes. The divisions and the pointer are in the same plane which allows readability from any angle without parallax error.

Windows: The standard window for the Duratemp thermometer is glass. Shatter-proof glass and plastic disc windows are optional.

MERCURY FREE

Gas Filled: NIOSH and OSHA compliance for mercury contamination hazards. Protects personnel and processes from accidental contamination.

No Head or Elevation Error: Gear and pinion movements are eliminated, resulting in increased instrument life and reduced replacement costs.

Silicone damped Bourdon tube eliminates damage from shock and vibration.

- **Exclusive movementless design resists shock and vibration – no gears to wear or misalign resulting in increased instrument life**
- **Gas-operated molecular sieve**
- **No elevation error**
- **Mercury free**
- **One bulb size for all ranges**
- **±1% full-span accuracy**
- **Maxivision® dial**
- **Limited five-year warranty**

A high impact-resistant polished stainless steel case. Bayonet ring facilitates easy removal for glass replacement and pointer adjustment. A versatile case that enables surface or flush mounting. Available in 4½" dial size.



SELECTION TABLE

600A — 01		C01				B01		A1		L07		AK			
Table 1		Table 2				Table 3		Table 4		Table 5		Table 6			
CASE STYLE		CASE SIZE		MOUNTING				BULB STYLES*		ARMOR STYLE		LINE LENGTH		RANGES	
CODE	DESCRIPTION	CODE	SIZE	SURFACE		CONNECTION		CODE	DESCRIPTION	CODE	LINE LENGTH	CODE	SINGLE RANGES		
					FLUSH	LOWER	REAR								
01	ST. ST. BAYONET RING	C01	4½"	✓		✓		B01	12" Bendable extension with ½ NPT union connection	A1	Stainless Steel Spring	L01	5'	AB	-320/200°F
		C11	4½"		✓		✓	B03	Plain bulb with rigid extension, no union			L03	10'	AE	-100/100°F
								B08	Plain bulb with rigid extension, ½ NPT union on armor			L07	20'	AG	-40/180°F
								B17	18" Bendable extension with ½ NPT union connection			L09	30'	AK	20/240°F
								B18	24" Bendable extension with ½ NPT union connection			L13	50'	AL	50/300°F
												L19	80'	AN	50/550°F
														AR	50/750°F
														AT	400/1200°F
														AY	-200/100°C
														BL	-80/40°C
														BN	-40/80°C
														BS	0/120°C
														BT	10/150°C
														BU	0/300°C
														BW	0/400°C
														BJ	200/650°C
														DUAL RANGES	
														CE	20/240°F
															0/120°C
														CF	50/550°F
															0/300°C
														DR	50/300°F
															10/150°C
														DT	-40/180°F
															-40/80°C

*Minimum recommended insertion length ("u" dimension) in liquids is 4 inches and in gases is 6 inches for standard ¾ x 3" bulb

TO ORDER THIS DURATEMP 600A-01 THERMOMETER:

Select:

1. Case Style: Stainless Steel/Bayonet Ring _____ Table 1 _____ **600A 01 C01 B01 A1 L07 AK XNH**

2. Case Size & Mounting: 4½" Surface, Lower _____ Table 2 _____

3. Bulb Style: 12" Bendable Extension with Union Connection _____ Table 3 _____

4. Armor Style: Stainless Steel Spring _____ Table 4 _____

5. Line Length: 20 feet _____ Table 5 _____

6. Temperature Range: 20/240°F _____ Table 6 _____

7. Options: Stainless Steel Tag _____ (See Page 222) _____

Consult factory for guidance in product selection
 Phone (203) 378-8281 or visit our
 web site at www.ashcroft.com

- **Exclusive movementless design resists shock and vibration – no gears to wear or misalign resulting in increased instrument life**
- **Gas-operated molecular sieve**
- **No elevation error**
- **Mercury free**
- **One bulb size for all ranges**
- **±1% full-span accuracy**
- **Maxivision® dial**
- **Limited five-year warranty**

An aluminum case with a durable epoxy finish. Designed specifically for panel mounting. A hinged ring permits glass replacement and pointer adjustment. Available in 4½", 6" and 8½" sizes.



SELECTION TABLE

600A — 02		C12				B01		A1		L07		AK																					
Table 1		Table 2				Table 3		Table 4		Table 5		Table 6																					
CASE STYLE		CASE SIZE		MOUNTING				BULB STYLES*		ARMOR STYLE		LINE LENGTH		RANGES																			
CODE	DESCRIPTION	CODE	SIZE	SURFACE FLUSH		CONNECTION LOWER REAR		CODE	DESCRIPTION	CODE	DESCRIPTION	CODE	LINE LENGTH	CODE	SINGLE RANGES																		
600A	02 ALUMINUM HINGED RING	C12	4½"		✓		✓	B01	12" Bendable extension with ½ NPT union connection	A1	Stainless Steel Spring	L01	5'	AB	-320/200°F																		
		C27	6"		✓		✓							AE	-100/100°F																		
		C35	8½"		✓		✓					AG	-40/180°F																				
	B03	Plain bulb with rigid extension, no union	L03	10'	AK	20/240°F																											
					AL	50/300°F																											
AN					50/550°F																												
B08	Plain bulb with rigid extension, ½ NPT union on armor	L07	20'	AR	50/750°F																												
				AT	400/1200°F																												
B17	18" Bendable extension with ½ NPT union connection	L09	30'	AY	-200/100°C																												
				BL	-80/40°C																												
				BN	-40/80°C																												
B18	24" Bendable extension with ½ NPT union connection	L07	20'	BS	0/120°C																												
				BT	10/150°C																												
				BU	0/300°C																												
*Minimum recommended insertion length ("u" dimension) in liquids is 4 inches and in gases is 6 inches for standard ¾ x 3" bulb																																	
<table border="1"> <thead> <tr> <th colspan="2">DUAL RANGES</th> </tr> </thead> <tbody> <tr> <td>CE</td> <td>20/240°F</td> </tr> <tr> <td>CF</td> <td>0/120°C</td> </tr> <tr> <td>CF</td> <td>50/550°F</td> </tr> <tr> <td>CF</td> <td>0/300°C</td> </tr> <tr> <td>DR</td> <td>50/300°F</td> </tr> <tr> <td>DR</td> <td>10/150°C</td> </tr> <tr> <td>DT</td> <td>-40/180°F</td> </tr> <tr> <td>DT</td> <td>-40/80°C</td> </tr> </tbody> </table>																DUAL RANGES		CE	20/240°F	CF	0/120°C	CF	50/550°F	CF	0/300°C	DR	50/300°F	DR	10/150°C	DT	-40/180°F	DT	-40/80°C
DUAL RANGES																																	
CE	20/240°F																																
CF	0/120°C																																
CF	50/550°F																																
CF	0/300°C																																
DR	50/300°F																																
DR	10/150°C																																
DT	-40/180°F																																
DT	-40/80°C																																

TO ORDER THIS DURATEMP 600A-02 THERMOMETER:

Select:

1. Case Style: Aluminum/Hinged Ring _____ Table 1 _____ **600A 02 C12 B01 A1 L07 AK XNH**

2. Case Size & Mounting: 4½" Flush, Rear _____ Table 2 _____

3. Bulb Style: 12" Bendable Extension with Union Connection _____ Table 3 _____

4. Armor Style: Stainless Steel Spring _____ Table 4 _____

5. Line Length: 20 feet _____ Table 5 _____

6. Temperature Range: 20/240°F _____ Table 6 _____

7. Options: Stainless Steel Tag _____ (See Page 222) _____

Consult factory for guidance in product selection
Phone (203) 378-8281 or visit our
web site at www.ashcroft.com

- Exclusive movementless design resists shock and vibration – no gears to wear or misalign resulting in increased instrument life
- Gas-operated molecular sieve
- No elevation error
- Mercury free
- One bulb size for all ranges
- ±1% full-span accuracy
- Maxivision® dial
- Limited five-year warranty

A black-coated aluminum case with excellent impact resistance. Threaded ring permits adjustment. Available in 4½" and 6" sizes.



SELECTION TABLE

600A — 03		C02		B01		A1		L07		AK		
Table 1		Table 2		Table 3		Table 4		Table 5		Table 6		
CASE STYLE		CASE SIZE		BULB STYLES*		ARMOR STYLE		LINE LENGTH		RANGES		
CODE	DESCRIPTION	CODE	SIZE	MOUNTING		CODE	DESCRIPTION	CODE	LINE LENGTH	CODE	SINGLE RANGES	
				SURFACE	FLUSH							
				LOWER	REAR							
03	ALUMINUM THREADED RING	C02	4½"	✓		B01	12" Bendable extension with ½ NPT union connection	A1	Stainless Steel Spring	L01	5'	AB -320/200°F
		C15	6"	✓		B03	Plain bulb with rigid extension, no union			L03	10'	AE -100/100°F
						B08	Plain bulb with rigid extension, ½ NPT union on armor			L07	20'	AG -40/180°F
						B17	18" Bendable extension with ½ NPT union connection			L09	30'	AK 20/240°F
						B18	24" Bendable extension with ½ NPT union connection			L13	50'	AL 50/300°F
							*Minimum recommended insertion length ("u" dimension) in liquids is 4 inches and in gases is 6 inches for standard ¾ x 3" bulb			L19	80'	AN 50/550°F
												AR 50/750°F
												AT 400/1200°F
												AY -200/100°C
												BL -80/40°C
												BN -40/80°C
												BS 0/120°C
												BT 10/150°C
												BU 0/300°C
												BW 0/400°C
												BJ 200/650°C
												DUAL RANGES
												CE 20/240°F
												0/120°C
												CF 50/550°F
												0/300°C
												DR 50/300°F
												10/150°C
												DT -40/180°F
												-40/80°C

TO ORDER THIS DURATEMP 600A-03 THERMOMETER:

Select:

1. Case Style: Aluminum/Threaded Ring _____ Table 1 _____

2. Case Size & Mounting: 4½" Surface, Lower _____ Table 2 _____

3. Bulb Style: 12" Bendable Extension _____
with Union Connection _____ Table 3 _____

4. Armor Style: Stainless Steel Spring _____ Table 4 _____

5. Line Length: 20 feet _____ Table 5 _____

6. Temperature Range: 20/240°F _____ Table 6 _____

7. Options: Stainless Steel Tag _____ (See Page 222) _____

600A 03 C02 B01 A1 L07 AK XNH

Consult factory for guidance in product selection
Phone (203) 378-8281 or visit our
web site at www.ashcroft.com

- Exclusive movementless design resists shock and vibration – no gears to wear or misalign resulting in increased instrument life
- Gas-operated molecular sieve
- No elevation error
- Mercury free
- One bulb size for all ranges
- ±1% full-span accuracy
- Maxivision® dial
- Limited five-year warranty

The phenolic case construction is ideal for most ambient conditions. Flush or surface mounting. Snap ring permits pointer adjustment. Available in 4½", 6", and 8½" sizes.



SELECTION TABLE

600A — 04		C03				B01		A1		L07		AK						
Table 1		Table 2				Table 3		Table 4		Table 5		Table 6						
CASE STYLE		CASE SIZE		MOUNTING				BULB STYLES*		ARMOR STYLE		LINE LENGTH		RANGES				
CODE	DESCRIPTION	CODE	SIZE	MOUNTING		CONNECTION		CODE	DESCRIPTION	CODE	DESCRIPTION	CODE	LINE LENGTH	CODE	SINGLE RANGES			
				SURFACE	FLUSH	LOWER	REAR											
600A	04 PHENOLIC SNAP RING	C03	4½"	✓		✓		B01	12" Bendable extension with ½ NPT union connection	A1	Stainless Steel Spring	L01	5'	AB	-320/200°F			
		C08	4½"	✓			✓					L03	10'	AE	-100/100°F			
		C38	4½"		✓			✓								AG	-40/180°F	
		C16	6"	✓			✓	✓									AK	20/240°F
									B03			Plain bulb with rigid extension, no union					AL	50/300°F
																	AN	50/550°F
								B08	Plain bulb with rigid extension, ½ NPT union on armor					AR	50/750°F			
								B17	18" Bendable extension with ½ NPT union connection					AT	400/1200°F			
								B18	24" Bendable extension with ½ NPT union connection					AY	-200/100°C			
								*Minimum recommended insertion length ("u" dimension) in liquids is 4 inches and in gases is 6 inches for standard ¾ x 3" bulb						BL	-80/40°C			
														BN	-40/80°C			
														BS	0/120°C			
														BT	10/150°C			
														BU	0/300°C			
														BW	0/400°C			
														BJ	200/650°C			
														DUAL RANGES				
														CE	20/240°F 0/120°C			
														CF	50/550°F 0/300°C			
														DR	50/300°F 10/150°C			
														DT	-40/180°F -40/80°C			

TO ORDER THIS DURATEMP 600A-04 THERMOMETER:

Select:

1. Case Style: Phenolic Snap Ring _____ Table 1 _____

2. Case Size & Mounting: 4½" Surface, Lower _____ Table 2 _____

3. Bulb Style: 12" Bendable Extension with Union Connection _____ Table 3 _____

4. Armor Style: Stainless Steel Spring _____ Table 4 _____

5. Line Length: 20 feet _____ Table 5 _____

6. Temperature Range: 20/240°F _____ Table 6 _____

7. Options: Stainless Steel Tag _____ (See Page 222) _____

600A 04 C03 B01 A1 L07 AK XNH

Consult factory for guidance in product selection
Phone (203) 378-8281 or visit our
web site at www.ashcroft.com

- **Exclusive movementless design resists shock and vibration – no gears to wear or misalign resulting in increased instrument life**
- **Gas-operated molecular sieve**
- **No elevation error**
- **Mercury free**
- **One bulb size for all ranges**
- **±1% full-span accuracy**
- **Maxivision® dial**
- **Limited five-year warranty**

This hermetically sealed case is designed for applications where extreme moisture or dust is present. Available in a 4½" solid front phenolic turret case, lower connection.



SELECTION TABLE

600H — 45		C60				B01		A1		L07		AK			
Table 1		Table 2				Table 3		Table 4		Table 5		Table 6			
CASE STYLE		CASE SIZE		MOUNTING				BULB STYLES*		ARMOR STYLE		LINE LENGTH		RANGES	
CODE	DESCRIPTION	CODE	SIZE	MOUNTING		CONNECTION		CODE	DESCRIPTION	CODE	DESCRIPTION	CODE	LINE LENGTH	CODE	SINGLE RANGES
				SURFACE	FLUSH	LOWER	REAR								
45	PHENOLIC HERMETICALLY SEALED	C60	4½"	✓		✓		B01	12" Bendable extension with ½ NPT union connection	A1	Stainless Steel Spring	L01	5'	AB	-320/200°F
600H								B03	Plain bulb with rigid extension, no union			L03	10'	AE	-100/100°F
								B08	Plain bulb with rigid extension, ½ NPT union on armor			L07	20'	AG	-40/180°F
								B17	18" Bendable extension with ½ NPT union connection			L09	30'	AK	20/240°F
								B18	24" Bendable extension with ½ NPT union connection			L13	50'	AL	50/300°F
											L19	80'	AN	50/550°F	
														AR	50/750°F
														AT	400/1200°F
														AY	-200/100°C
														BL	-80/40°C
														BN	-40/80°C
														BS	0/120°C
														BT	10/150°C
														BU	0/300°C
														BW	0/400°C
														BJ	200/650°C
														DUAL RANGES	
														CE	20/240°F
															0/120°C
														CF	50/550°F
															0/300°C
														DR	50/300°F
															10/150°C
														DT	-40/180°F
															-40/80°C

*Minimum recommended insertion length ("u" dimension) in liquids is 4 inches and in gases is 6 inches for standard ¾ x 3" bulb

TO ORDER THIS DURATEMP 600H-45 THERMOMETER:

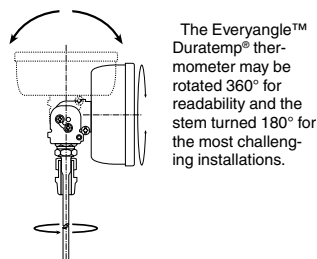
Select:

	600H	45	C60	B01	A1	L07	AK	XNH
1. Case Style: Phenolic Hermetically Sealed _____ Table 1 _____								
2. Case Size & Mounting: 4½" Surface, Lower _____ Table 2 _____								
3. Bulb Style: 12" Bendable Extension with Union Connection _____ Table 3 _____								
4. Armor Style: Stainless Steel Spring _____ Table 4 _____								
5. Line Length: 20 feet _____ Table 5 _____								
6. Temperature Range: 20/240°F _____ Table 6 _____								
7. Options: Stainless Steel Tag _____ (See Page 222) _____								

Consult factory for guidance in product selection
 Phone (203) 378-8281 or visit our
 web site at www.ashcroft.com

- **Exclusive movementless design resists shock and vibration – no gears to wear out – or misalign resulting in increased instrument life**
- **Gas-operated molecular sieve**
- **Mercury free**
- **1% full-span accuracy**
- **Everyangle Duratem[®] thermometer can be rotated 360° and can be angled 180°, ensuring readability in any installation**
- **Maxivision[®] dial**
- **Limited five-year warranty**

The direct-reading thermometer (stainless steel case only) offers the same unique features of the Ashcroft[®] Duratem[®] remote-reading thermometer for those critical applications where only a direct-connected instrument can be used. Available in 4½" dial size.



SELECTION TABLE

600B	—	01	—	AB		
Type	Table 1		Table 2			
600B	CODE	STEM LENGTH	CODE	SINGLE RANGES	CODE	DUAL RANGES
D I R E C T - M O U N T E D	01	Semirigid Stainless Steel 6"	AB	-320/200°F	CE	20/240°F 0/120°C
			AE	-100/100°F		
	02	Semirigid Stainless Steel 9"	AG	-40/180°F	CF	50/550°F 0/300°C
			AK	20/240°F		
	03	Semirigid Stainless Steel 12"	AL	50/300°F	DR	50/300°F 10/150°C
			AN	50/550°F		
	04	Semirigid Stainless Steel 15"	AR	50/750°F*	DT	-40/180°F -40/80°C
			AT	400/1200°F*		
	05	Semirigid Stainless Steel 18"	AY	-200/100°C	*For these ranges a minimum "S" dimension (stem length) of 9 inches is required. This removes case from exposure to high temperature which may damage the instrument.	
			BL	-80/40°C		
06	Semirigid Stainless Steel 24"	BN	-40/80°C			
		BS	0/120°C			
07	Semirigid Stainless Steel 30"	BT	10/150°C			
		BU	0/300°C			
08	Semirigid Stainless Steel 36"	BW	0/400°C*			
		BJ	200/650°C*			

NOTE: Thermowells must be used whenever an Ashcroft Duratem[®] thermometer is installed on a pressurized application or where fluid velocity or corrosive media is present.

TO ORDER THIS 600B DURATEMP THERMOMETER:

SELECT 600B 01 AB XNH

1. Stem Length: Length: 6" _____ Table 1 _____

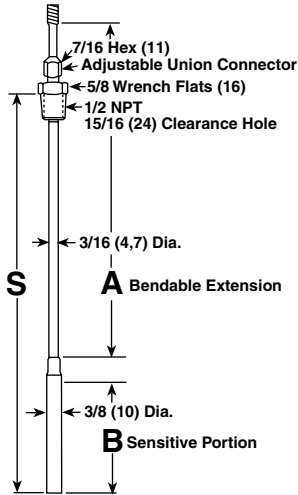
2. Temperature Range: -320/200°F _____ Table 2 _____

3. Options: Stainless Steel Tag _____ (See Page 222) _____

Consult factory for guidance in product selection
Phone (203) 378-8281 or visit our
web site at www.ashcroft.com

Style B01, B17 and B18

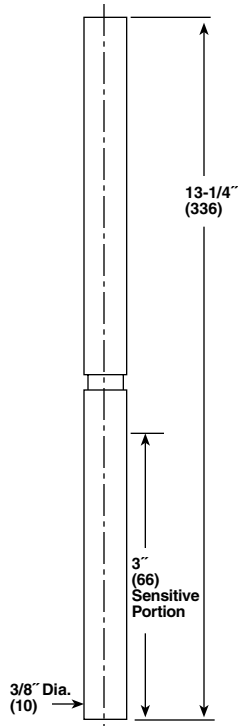
Bendable Extension,
Union Connection



Bulb Code	Bulb Size "B"	"A"	"S" Max.	"S" Min.
B01	3 (76)	12 (305)	15 (381)	4 (102)
B17	3 (76)	18 (457)	21 (533)	4 (102)
B18	3 (76)	24 (610)	27 (686)	4 (102)

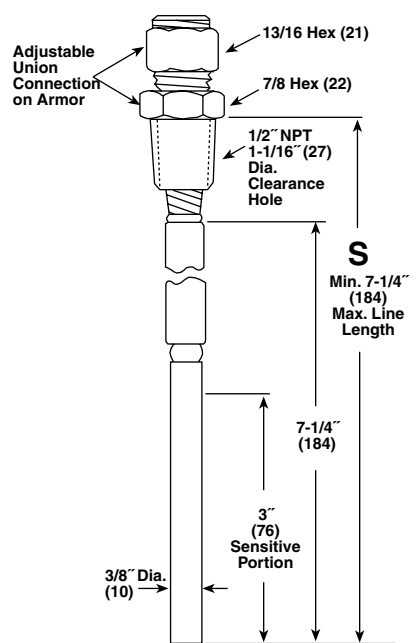
Style B03

Plain

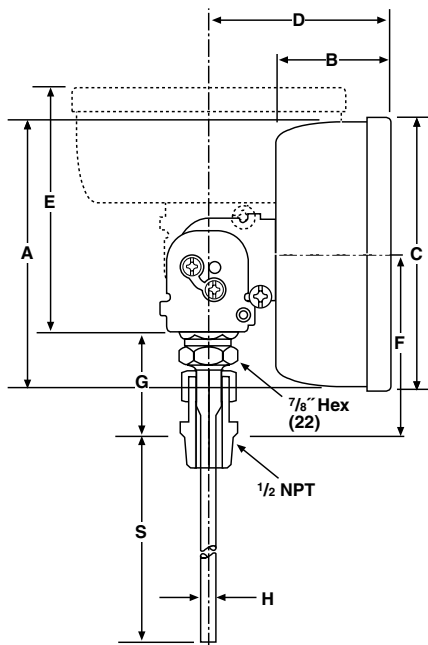


Style B08

Long Extension, Locking Fitting



600B Everyangle



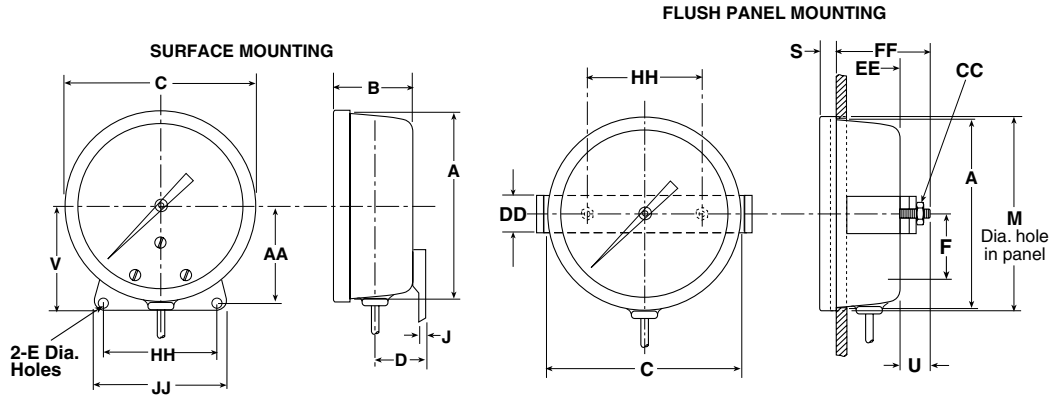
FOR TEMPERATURES BELOW 750°F	
S	U-Dimension (Insertion Length)
6 (152)	4½ (114)
9 (229)	7½ (191)
12 (305)	10½ (268)

FOR TEMPERATURES 750°F AND ABOVE USE WELL WITH 3" LAG		
S	Well Lag	U-Dimension (Insertion Length)
9 (229)	3	4½ (114)
12 (305)	3	7½ (191)
15 (381)	3	10½ (268)

Dial Size Inches	A	B	C	D	E	F	G	H
4½	4 ²³ / ₃₂ (120)	2 ¹ / ₁₆ (52)	5 ¹ / ₃₂ (128)	3 ¹¹ / ₆₄ (81)	4 ¹³ / ₁₆ (122)	3 (76)	1 (25)	3/8 (10)

NOTE: Dimensions in inches, () are millimeters.

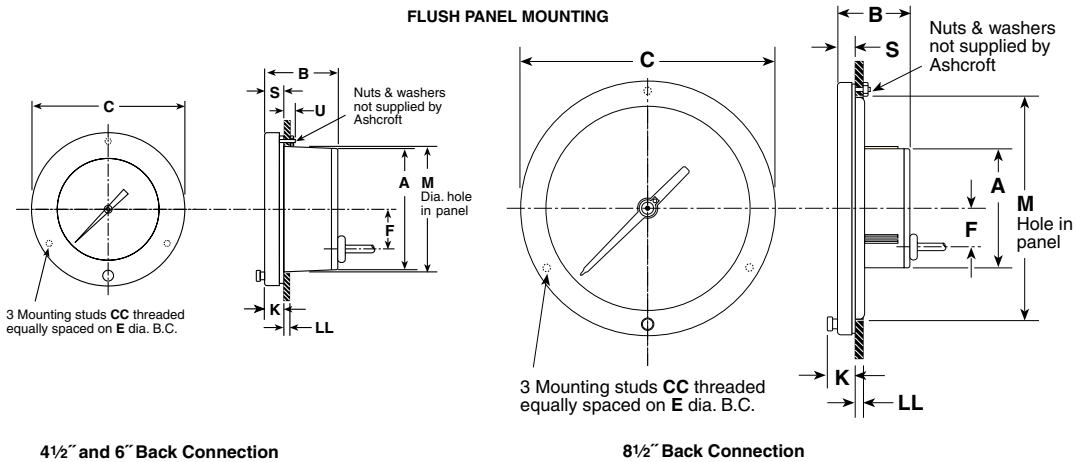
600A-01 Stainless Steel Case



Dial Size Inches	A	B	C	D	E	F	J	M	S	U	AA	CC	DD	FF	EE	HH	JJ
4½	4 ²³ / ₃₂ (120)	2 ³ / ₁₆ (56)	5 ¹ / ₈ (130)	1 ¹ / ₁₆ (27)	7 ³ / ₃₂ (6)	1 ⁵ / ₈ (141)	1 ¹ / ₁₆ (2)	4 ²⁵ / ₃₂ (121)	7 ¹ / ₁₆ (11)	1 ⁷ / ₁₆ (37)	2 ⁵ / ₈ (67)	#10-32	1 (25)	2 ¹ / ₄ (57)	1 ⁵ / ₈ (41)	3 (76)	3 ¹ / ₂ (89)

NOTE: Dimensions in inches, () are millimeters.

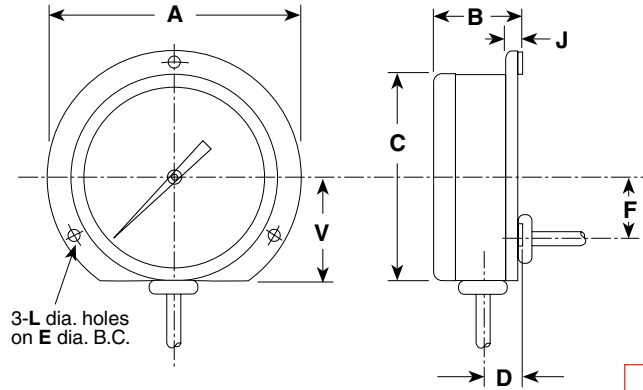
600A-02 Hinged Ring Case



Case Size Inches	A	B	C	E	F	K	M	S	U	CC	LL
4½	4.75 (120.7)	2 ³ / ₁₆ (56)	6.03 (153)	5 ³ / ₈ (137)	1 ⁵ / ₈ (41)	1 ¹ / ₁₆ (27)	4 ⁷ / ₈ (124)	5 ⁸ / ₁₆ (16)	3 ⁴ / ₁₆ (19)	10-24	1 ⁸ / ₁₆ 1 ² / ₁₆ (3) (13)
6	4.87 (123.7)	2 ¹ / ₄ (57)	7.50 (190.5)	7 (178)	2 ¹ / ₈ (54)	1 ¹ / ₁₆ (27)	6 ¹ / ₂ (165)	5 ⁸ / ₁₆ (16)	3 ⁴ / ₁₆ (19)	1 ⁴ / ₄ -20	1 ⁸ / ₁₆ 1 ² / ₁₆ (3) (13)
8½	4.75 (120.7)	2 ¹ / ₄ (57)	9.96 (253)	9 ⁵ / ₈ (244)	2 ¹ / ₈ (54)	1 ¹ / ₁₆ (27)	9 (229)	5 ⁸ / ₁₆ (16)	3 ⁴ / ₁₆ (19)	1 ⁴ / ₄ -20	1 ⁸ / ₁₆ 1 ² / ₁₆ (3) (13)

NOTE: Dimensions in inches, () are millimeters.

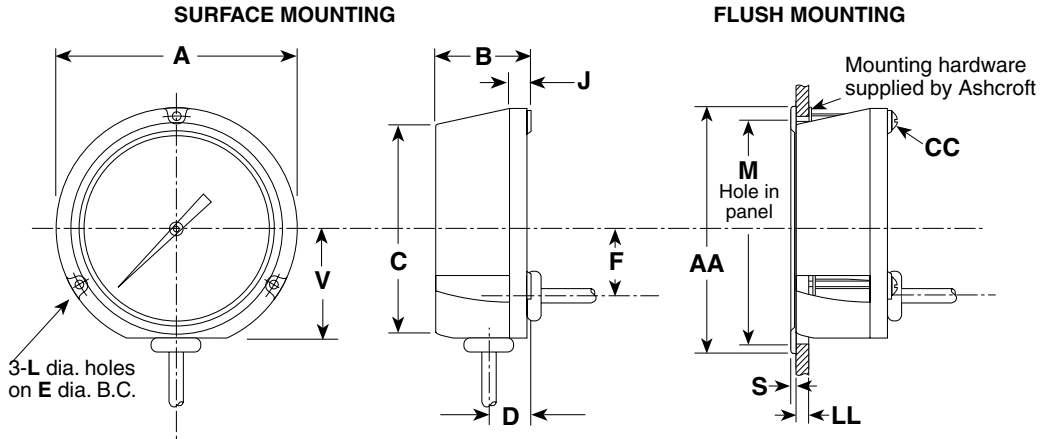
600A-03 Aluminum-Threaded Ring Case



Case Size Inches	A	B	C	D	E	F	J	L	V
4½	5 ¹³ / ₁₆ (148)	2 ³ / ₈ (57)	5 ¹ / ₃₂ (126)	1 ⁷ / ₃₂ (24)	5 ³ / ₈ (137)	1 ⁵ / ₈ (41)	⁵ / ₈ (10)	⁷ / ₃₂ (5,5)	2 ³ / ₈ (60)
6	7 ⁵ / ₈ (194)	2 ¹ / ₄ (57)	6 ¹ / ₂ (165)	1 ⁵ / ₁₆ (24)	7 (178)	2 ¹ / ₈ (54)	⁷ / ₁₆ (11)	⁹ / ₃₂ (7)	3 ¹ / ₈ (79)

APPROXIMATE WEIGHT (LBS.) FOR ALL REMOTE READING DURATEMP THERMOMETERS			
Line Length	Case Size		
	4½"	6"	8½"
5'	1.75	2.55	3.40
10'	2.05	2.85	3.70
20'	2.65	3.45	4.30
30'	3.25	4.05	4.90
50'	4.45	5.25	6.10
80'	6.25	7.05	7.90

600A-04, 600H-45 Phenolic Case



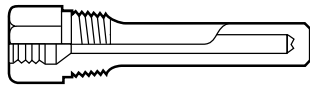
Model	Case Size Inches	A	B	C	D	E	F	J	L	S	V	AA	M	LL	PP
600A-04	4½	5 ¹³ / ₁₆ (148)	2 ⁵ / ₁₆ (59)	5 ¹ / ₁₆ (129)	1 (25)	5 ³ / ₈ (137)	1 ⁵ / ₈ (41)	⁹ / ₁₆ (14)	⁷ / ₃₂ (5,5)	³ / ₁₆ (5)	2 ⁵ / ₈ (67)	6 (154)	5 ³⁷ / ₆₄ (148)	¹ / ₁₆ - ¹ / ₂ (2)-(13)	#10-24 x ⁷ / ₈
	6	7 ⁵ / ₈ (194)	2 ³ / ₈ (60)	6 ⁵ / ₈ (168)	1 ¹ / ₁₆ (27)	7 (178)	2 ¹ / ₈ (54)	⁵ / ₈ (16)	⁹ / ₃₂ (7)	³ / ₁₆ (5)	3 ¹ / ₂ (89)	7 ³ / ₄ (197)	7 ¹⁷ / ₆₄ (185)	¹ / ₁₆ - ¹ / ₂ (2)-(13)	# ¹ / ₄ -20 x ⁷ / ₈
600H-45	4½	5 ¹³ / ₁₆ (148)	3 ³ / ₈ (86)	5 ¹ / ₁₆ (129)	1 ⁵ / ₈ (41)	5 ³ / ₈ (137)	—	1 (25)	⁷ / ₃₂ (5,5)	³ / ₁₆ (5)	2 ⁵ / ₈ (67)	6 (154)	5 ³⁷ / ₆₄ (148)	¹ / ₁₆ - ¹ / ₂ (2)-(13)	#10-24 x ⁷ / ₈

NOTE: Dimensions in inches, () are millimeters.

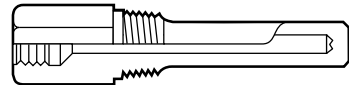
Consult factory for guidance in product selection
 Phone (203) 378-8281 or visit our
 web site at www.ashcroft.com

75 Size		W U-Dimension		0750 Thread		Lagging		H Shank		T Type		260 Bore		C Material		Cap & Chain		Facing		Rating		Special Lagging Length	
Code	Inches	Code	Inches	Code	Inches	Code	Inches	Code	Type	Code	Type	Code	Type	Code	Type	Code	Facing	Code	Rating #	Code	Rating #	Code	Rating #
50	1/2	0162	1 1/8	-	Without	T	NPT Thd.	260	.260"	AA	Brass	1	Brass	F	Flat Face	150	150						
75	3/4	0250	2 1/2	L	With	W	Weld-in	385	.385"	B	Carbon Steel	2	Stainless Steel	R	Raised Face	300	300						
10	1	0450	4 1/2			F	Flanged			C	AISI 304			J	Ring Joint	600	600						
12	1 1/4	0750	7 1/2			V	Van Stone			S	AISI 316			L	Lap Joint	1500	1500						
15	1 1/2	1050	10 1/2			S	Socket Weld			M	Limited Space Threaded					2500	2500						
20	2	1350	13 1/2			G	Ground Joint			C	Sanitary												
30	3	1650	16 1/2																				
40	4	1950	19 1/2																				
		2250	22 1/2																				

Type: Straight (Uniform) Shank, Threaded
Bore Size: .385
Process Conn.: 1/2, 3/4, 1 NPT, Wed-In
Materials: Brass, Carbon Steel
 304 Stainless Steel, 316 Stainless Steel

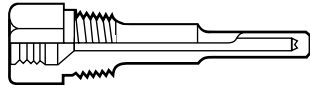


Standard Configuration

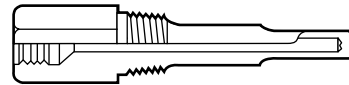


Lagging Configuration

Type: Stepped Shank, Threaded
Bore Size: .260
Process Conn.: 1/2, 3/4, 1 NPT
Materials: Brass, Carbon Steel
 304 Stainless Steel, 316 Stainless Steel



Standard Configuration

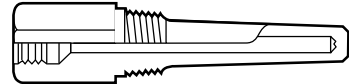


Lagging Configuration

Type: Tapered Shank, Threaded
Bore Size: .260, .385
Process Conn.: 1/2, 3/4, 1 NPT
Materials: Brass, Carbon Steel
 304 Stainless Steel, 316 Stainless Steel

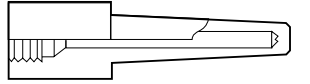


Standard Configuration

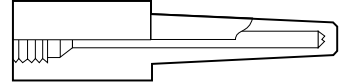


Lagging Configuration

Type: Socket Weld
Bore Size: .260, .385
Process Conn.: 3/4, 1" Pipe Size
Materials: 304 Stainless Steel, 316 Stainless Steel,
 Carbon Steel

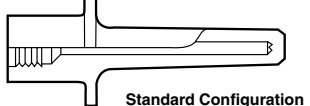


Standard Configuration



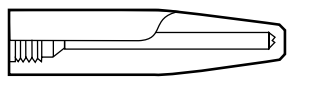
Lagging Configuration

Type: Van Stone
Bore Size: .260, .385
Process Conn.: 1, 1 1/2" Pipe Size
Materials: 304 Stainless Steel, 316 Stainless Steel



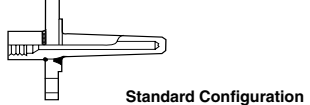
Standard Configuration

Type: Weld-in
Bore Size: .260, .385
Process Conn.: 1 1/2" Dia.
Materials: 304 Stainless Steel, 316 Stainless Steel



Standard Configuration

Type: Flanged
Bore Size: .260, .385
Process Conn.: 1, 1 1/2, 2" Pipe Size
Materials: 304 Stainless Steel, 316 Stainless Steel



Standard Configuration

Type: Sanitary
Bore Size: .260, .385
Process Conn.: Tri-Clamp connection® 1, 1 1/2, 2"
Materials: 304 Stainless Steel, 316 Stainless Steel



Standard Configuration



Lagging Configuration

*Consult factory for guidance in product selection
 Phone (203) 378-8281 or visit our
 web site at www.ashcroft.com*

DURATEMP AND BIMETAL OPTIONS

Code	Description	Bimetal	Duratemp
XCS ¹	Dual scale	●	●
XDM	Dial marking	●	●
XED ²	High and low electric contacts		●
XEE ²	Double high-electric contacts		●
XEF ²	Double low-electric contacts		●
XEG ²	Electric contacts off at low or high and on in-between		●
XEO	Externally adjustable red set hand		●
XEP	Externally adjustable maximum pointer		●
XEQ	Externally adjustable minimum pointer		●
XNG	Nonglare		●
XNN	Paper tag	●	●
XNH	Stainless steel tag	●	●
XPD ³	Plastic window	●	●
XSG ³	Shatterproof glass	●	●
XSH	Stationary red set hand		●
XTK	Tank car thermometer		●
X3B ⁴	3/8" stem diameter with 1/2 NPT	●	
X02 ⁵	1/4 NPT when 1/2 NPT is standard	●	

1. 3" and 5" case only.

2. 4 1/2" and 6" – 600A02, 600A03 and 600A04 styles only.

3. Not available on EL liquid filled thermometers. Polycarbonate is the standard window on EL series.

4. Not available on 2" case.

5. Only available on rear connect.

- **Watertight ultrasonic-sealed case**
- **Solid state design**
- **LED display with 1/2" high numerals**
- **Reverse-polarity protection**
- **Detachable sensors**
- **Retrofits 2" and 2 1/2" vapor thermometers**
- **Accessible zero and span adjustment**
- **NSF approval**
- **UL-recognized power supply**
- **Accuracy ±2°F per NSF C-2**

The Ashcroft® 2400E and 2410E digital thermometers are compact, solid state temperature measurement and display devices. The 2400E measures temperature with a laser-trimmed 2000 ohm RTD contained in a stainless steel probe. The signal from the RTD is conditioned and sent through an analog-to-digital converter and is shown on a LED display. The unit is powered by 6 Vdc, which is delivered through a power supply that operates on 110 Vac (220 Vac and 24 Vac are optional). When more than one indicator is required, two thermometers can be operated by one 110 Vac supply. The power supply is UL recognized and the complete unit is NSF approved for class C-2 applications.



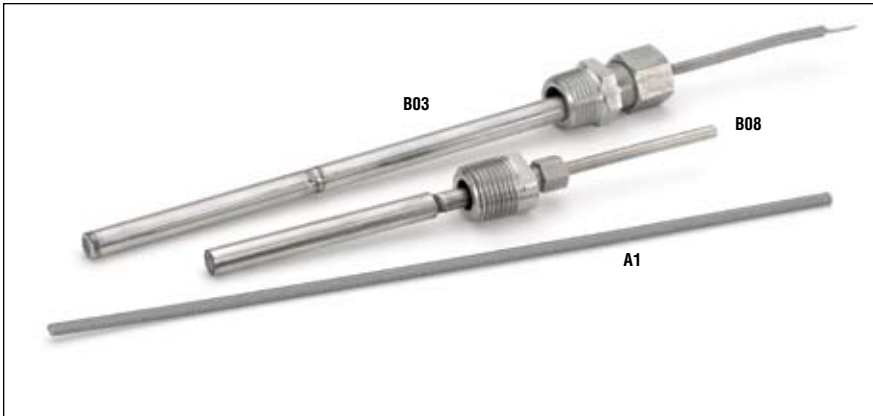
SELECTION TABLE										
2400		E		A		080		-40/199°F		XJ8
Table 1 Model		Table 2 Display		Table 3 Power Supply ⁽¹⁾		Table 4 Line Length ⁽³⁾		Table 5		Table 6 Options
Code	Desc.	Code	Desc.	Code	Desc.	Code	Desc.	Range Code	Code	Desc.
2400	Panel mount	E	LED	A	110 Vac	080	8 feet	-40/199°F	XJ7 ⁽²⁾	2 1/2" mounting plate
2410	2" Panel mount w/u clamp			B	220 Vac	XXX	Special Length ⁽⁴⁾	0/250°F	XJ8 ⁽²⁾	2" mounting plate
				C	24 Vac			-40/120°C		

- (1) If power supply is not required change model number 2400 to 2401 or 2410 to 2411.
- (2) Not available on 2410 case.
- (3) Stainless steel probe dimension, 0.250" dia. x 2.54" long.
- (4) Maximum line length is 30 feet.

TO ORDER THIS TYPE 2400E/2410E DIGITAL THERMOMETER:

Select:

1. Type: Display w/power pack	_____	Table 1	_____	2400	E	A	080	-40/199°F	XJ8	
2. Display: LED	_____	Table 2	_____							
3. Power: 110 Vac	_____	Table 3	_____							
4. Line Length: 8'	_____	Table 4	_____							
5. Temperature Range: -40/199°F	_____	Table 5	_____							
6. Option: 2" Mounting Plate	_____	Table 6	_____							



BULB AND ARMOR STYLED – REMOTE MOUNTED

Styles B01, B17 and B18 are bendable extensions with union connections. B01 (12" bendable extension) is the standard Duratemp® bulb style and is suitable for a variety of insertion lengths and lagging requirements. B17 is a 18" bendable extension, B18 is a 24" bendable extension. The union connection on all three styles is pressure tight and can be freely moved the entire length of the bendable portion. After installation, the bendable extension may be formed to suit the application.

Style B03

13" plain bulb for applications used in open tanks where pressures and velocities are negligible.

Style B08

The compression fitting fastens anywhere along the armored line. This bulb style is well suited for insertion requirements in excess of 13½". The B08 style is not a pressure tight connection. A thermowell is recommended for this style and for all bulb styles.

ARMOR STYLE

Style A1

AISI 302 stainless steel spring armor is supplied as standard. Originally designed for U.S. Navy Hi Shock thermometers.



TANK CAR THERMOMETER

Code XTK

Ashcroft's Duratemp® movementless design is well suited for severe vibration and shock applications as seen in railroad tank cars or other rolling stock applications, such as milk, chemical and produce transportation.

The option XTK is available in a 8½" case with a large adjustable pointer and a maximum indicating pointer. The range available is 20/240°F and the dial is marked "Tank Car Thermometer." The maximum indicating pointer illustrates the highest temperature sensed by the thermometer. Case size and pointer size makes the Duratemp easily read from a distance.